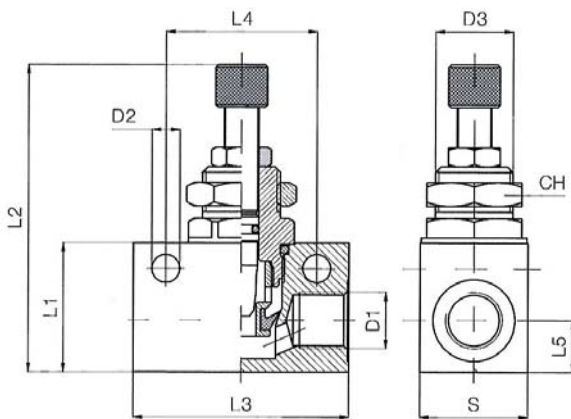
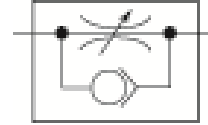


Unidirectional flow control valve, restricted in the flow direction, free passage in the opposite direction.



Body: Stainless steel 1.4404  
 Valve trim: Stainless steel 1.4404  
 Seal: FPM  
 Operating pressure: Max. 10.0 bar  
 Operating temperature: 0 °C to +150 °C

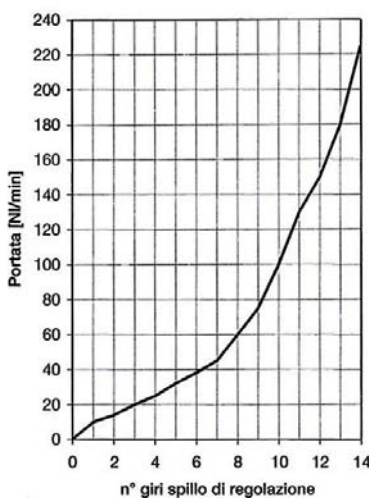


ES 225.34

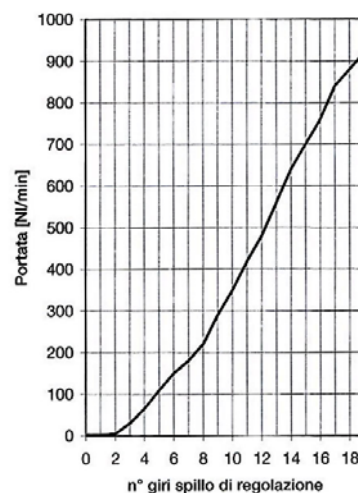
### Unidirectional flow control valves, stainless steel

Art. No.	Ident No.	D <sub>1</sub>	D <sub>2</sub>	D <sub>3</sub>	L <sub>1</sub>	L <sub>2max</sub>	L <sub>3</sub>	L <sub>4</sub>	L <sub>5</sub>	S	CH	Weight g
ES 225.33	103807	1/8	4.5	M12x0.75	20.0	56.0	34.0	24.0	7.5	15.0	14	74.0
ES 225.34	103808	1/4	5.5	M18x1.5	30.0	75.0	50.0	35.0	12.0	25.0	22	160.0

### Flow rate:



1/8



1/4

### Department eDocumentation

Phone +49 7125 9497-41, -42, -53, -260, -330  
 Fax +49 7125 9497-99  
 e-mail: [eDocumentation@riegler.de](mailto:eDocumentation@riegler.de)

edition 10/2015 Subject technical changes.

**RIEGLER & Co. KG**  
[www.riegler.net](http://www.riegler.net)